

SPD

Compact, High-Performance • Dual Output to 50"

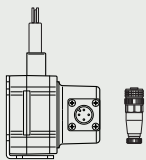
Comes With Both 4...20mA and 0...10V Output
 Rugged IP67 Polycarbonate Enclosure
 Mounting Bracket & Sensor Cover Adjusts for Easy Installation
IN STOCK for Quick Delivery!

SPECIFICATIONS

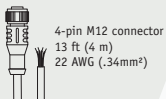
Full Stroke Range Options	0-4.75 to 0-50 inches
User Selectable Output Signal	4...20 mA (2-wire) / 0...10 Vdc
Input Voltage, 4...20 mA option	8-40 VDC
Input Voltage, 0...10 Vdc option	12-32 VDC
Accuracy	see ordering information
Repeatability	.05% FS.
Resolution	essentially infinite
Measuring Cable	.019-inch dia. nylon-coated stainless steel
Maximum Acceleration	13 g
Measuring Cable Tension	7 oz. (1.9 N) ±30%
Sensor	plastic-hybrid precision potentiometer
Cycle Life	see ordering information
Electrical Connection	M12 connector (mating plug included)
Enclosure	glass-filled polycarbonate
Environmental	IP 67
Operating Temperature	-40° to 160° F (-40° to 70° C)
Weight (includes sensor, bracket and connector)	.4 lbs (.19 kg)

ORDERING INFORMATION

Part No.	full stroke range	accuracy (% of f.s.)	cycle life
SPD-4-3	4.75 in (120 mm)	1.00%	2.5M cycles
SPD-12-3	12.5 in (317 mm)	0.25%	500K cycles
SPD-25-3	25 in (635 mm)	0.25%	500K cycles
SPD-50-3	50 in (1270 mm)	0.25%	250K cycles



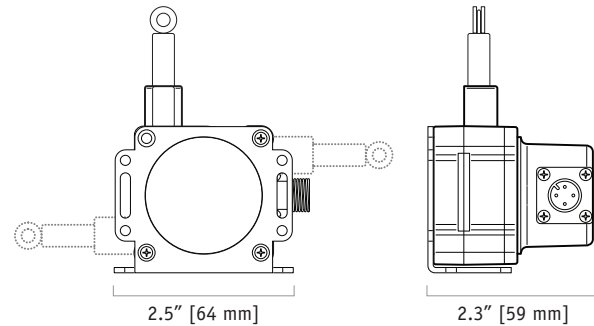
includes sensor, mounting bracket & mating connector.



4-pin M12 connector
 13 ft (4 m)
 22 AWG (.34mm²)

Optional Cordset **9036810-0040**

for short-run connections, a convenient optional 13-ft. cordset with a 4-pin M12 connector is available.

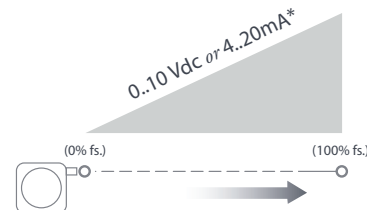


This compact stringpot provides the ultimate in ease-of-use and flexibility. This sensor fits in small spaces, doesn't need perfect alignment, mounts in just about any direction imaginable and has a unique circuit that lets the user choose 4-20mA or 0-10Vdc output on the fly.

The SPD comes in 4 different stroke ranges up to 50 inches and is constructed with a rugged polycarbonate body sealed against IP67 (wet) environments for both indoor and outdoor applications. Every unit ships with a stainless steel mounting bracket that lets the user easily point the measuring cable in the direction needed.

High value and economical price makes this sensor the perfect choice for the OEM and single-piece user alike. Customer specific designs available for the OEM, please contact factory for more information.

Output Signal:



Output Signal*	signal endpoint tolerances	
	0% fs.	100% fs.
4...20 mA	4 - 4.25 mA	19.2 - 20 mA
0...10 Vdc	0 - .2 Vdc	9.5 - 10 Vdc

*note: signal endpoints are set at the time of manufacture and cannot be adjusted

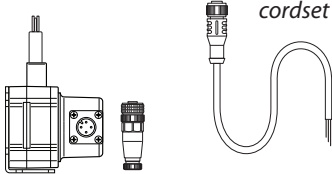
20630 Plummer Street • Chatsworth, CA 91311
 tel: 800.423.5483 • +1.818.701.2750 • fax: +1.818.701.2799



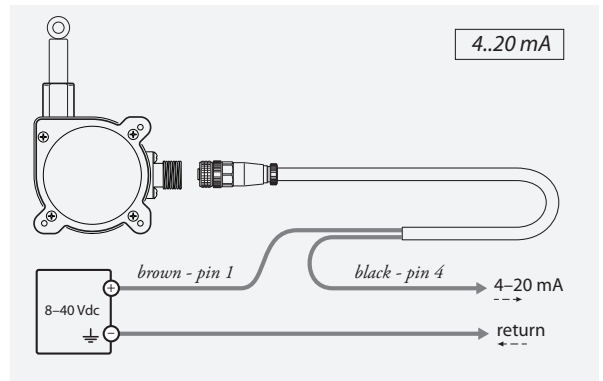
celesco
 celesco.com • info@celesco.com

Electrical Connection:

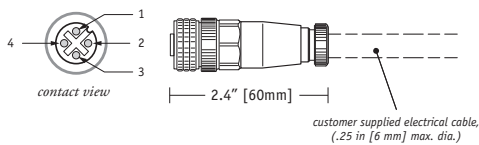
Output Signals



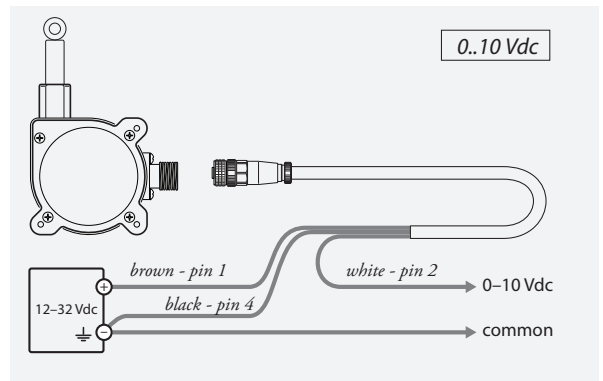
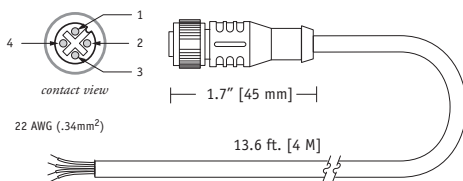
0...10 Vdc	4...20 mA	pin	pin - colorcode
12...32 Vdc	8...40 Vdc	1	1 - brown
0...10 Vdc	n/c	2	2 - white
n/c	n/c	3	3 - blue
common	4...20 mA	4	4 - black



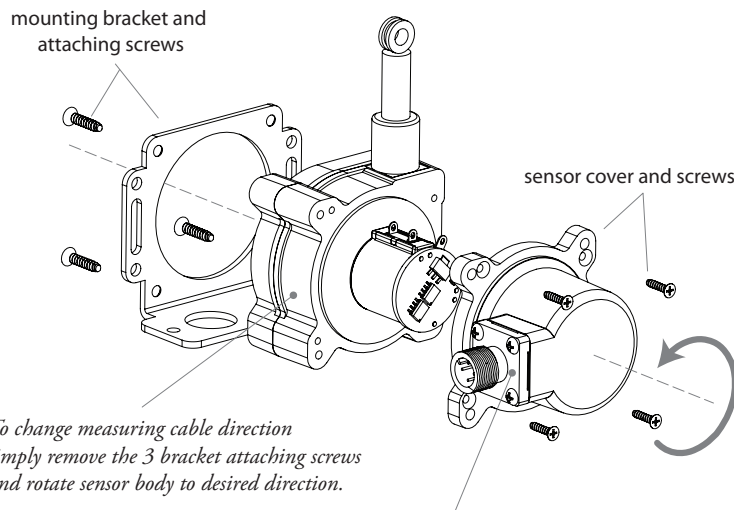
field installable connector (included)



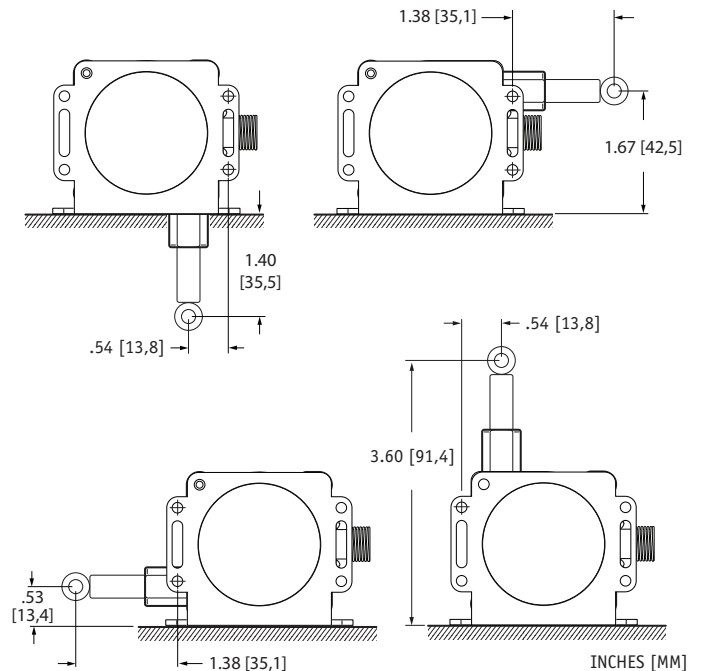
cordset, part no. 9036810-0040 (optional)



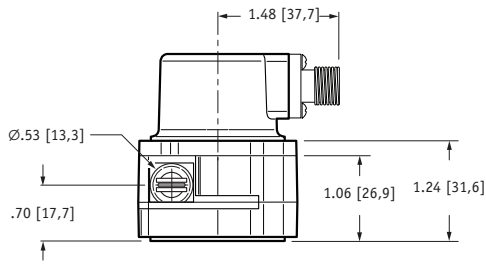
Mounting Options:



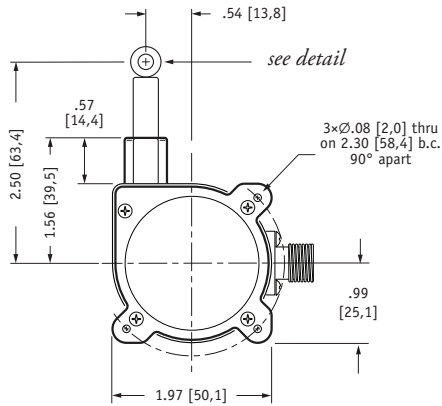
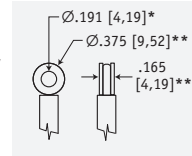
Connector orientation can be changed to 1 of 4 positions. Simply remove the 4 cover screws and rotate cover and replace screws.



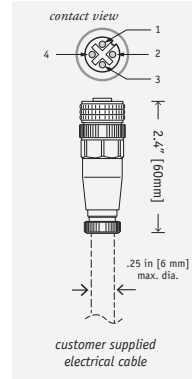
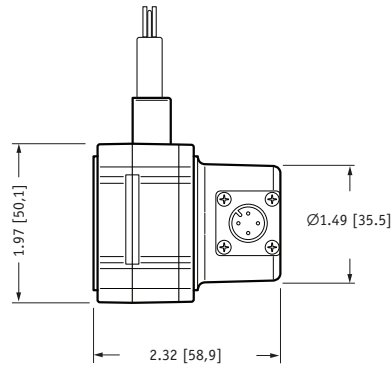
SPD-xx-3 w/o Mounting Bracket:



eyelet detail



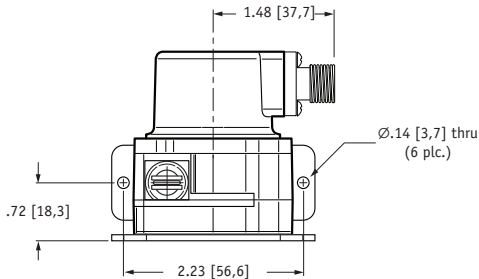
mating plug (included)



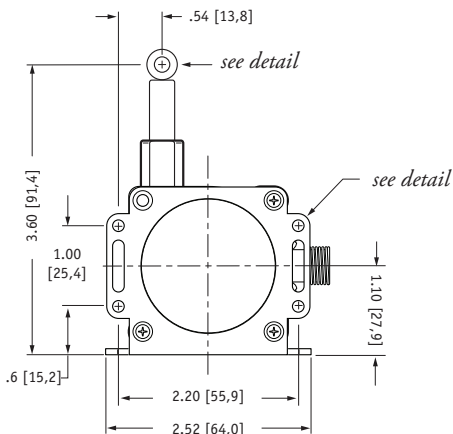
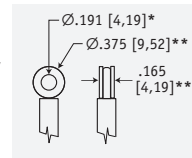
DIMENSIONS ARE IN INCHES [MM]
tolerances are 0.04 IN. [1,0 MM] unless otherwise noted.

* tolerance = +.005 -.001 [+0,1 -0,0]
** tolerance = +.005 -.005 [+0,1 -0,1]

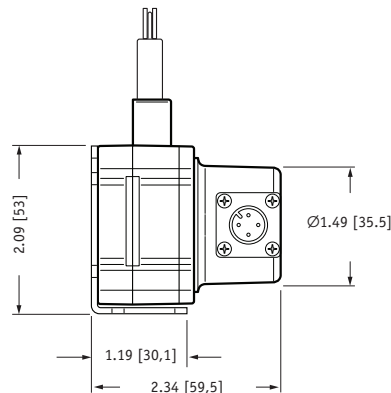
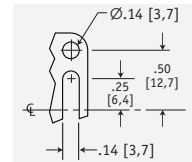
SPD-xx-3 w/ Mounting Bracket:



eyelet detail



bracket detail



DIMENSIONS ARE IN INCHES [MM]
tolerances are 0.04 IN. [1,0 MM] unless otherwise noted.

* tolerance = +.005 -.001 [+0,1 -0,0]
** tolerance = +.005 -.005 [+0,1 -0,1]